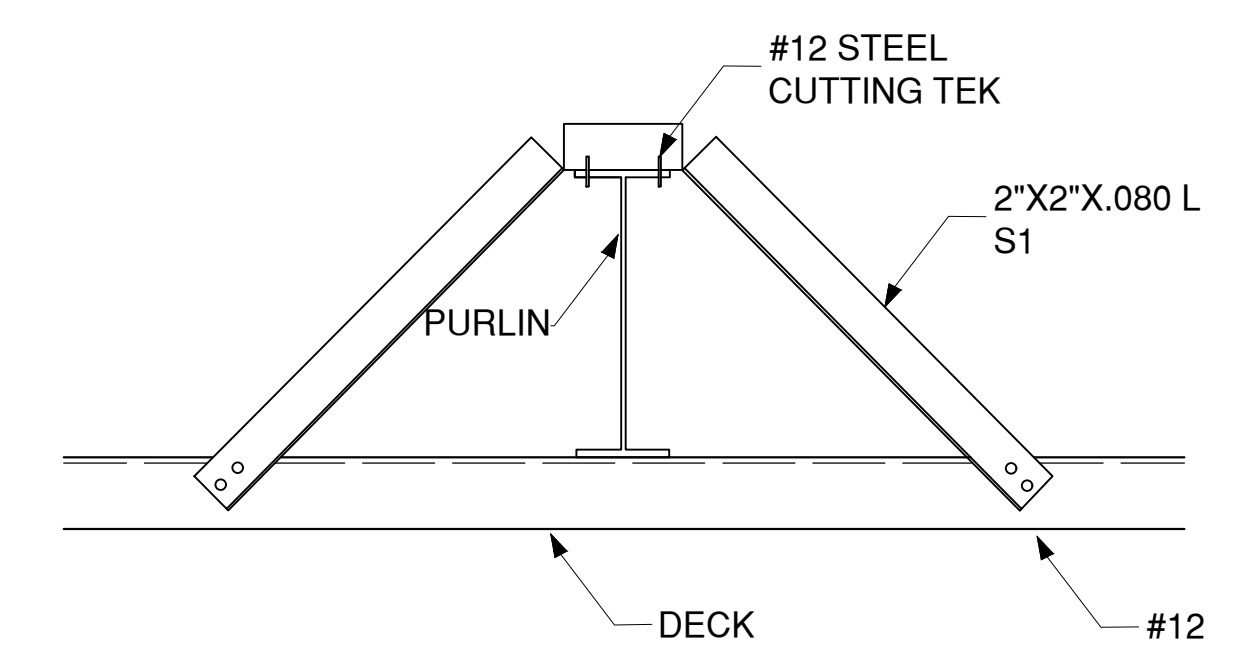
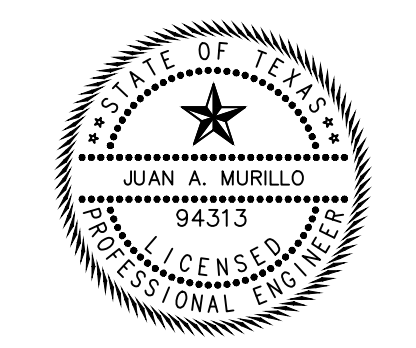


1 PLAN VIEW  
C6.01 SCALE: 1/8" = 1'-0"

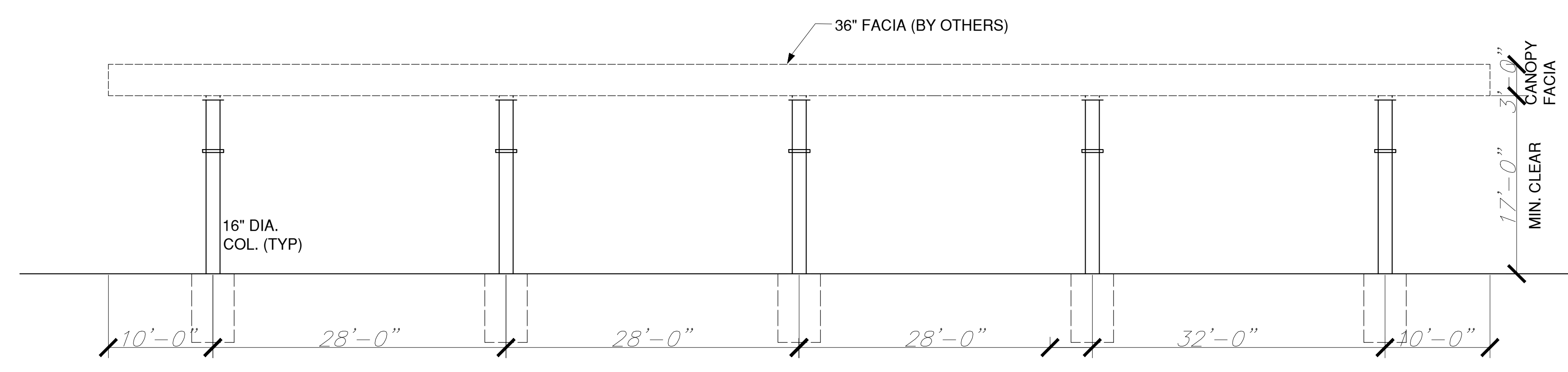


3 S1 - DETAIL  
C6.01 SCALE: NONE

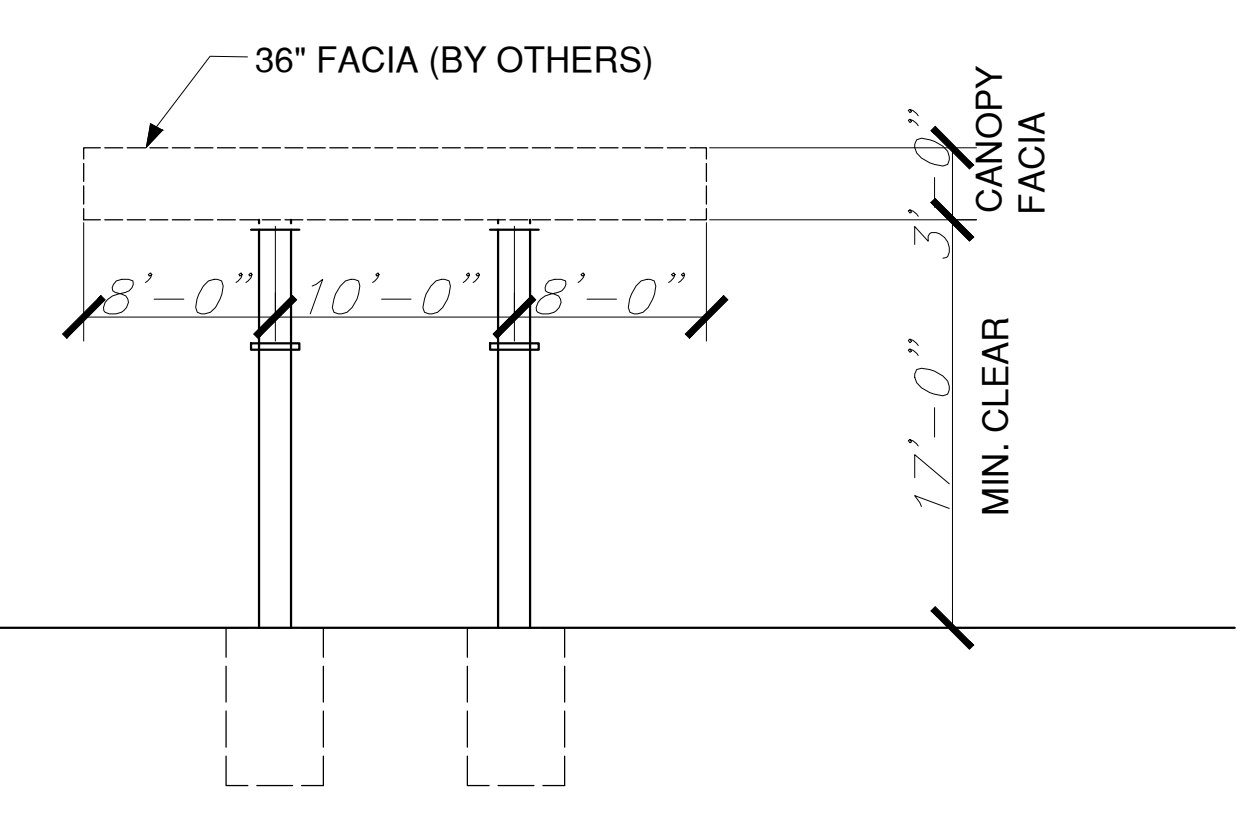
STEEL SECTIONS	
DESIGNATION	SECTION
B1	W18x35
C1	HSS16x0.25
P1	W12x16



"THE SEAL APPEARING ON THIS DRAWING WAS AUTHORIZED BY JUAN A. MURILLO, P.E. 94313 ON SEPTEMBER 16th, 2025"



2 FRONT ELEVATION  
C6.01 SCALE: 1/8" = 1'-0"



4 SIDE ELEVATION  
C6.01 SCALE: 1/8" = 1'-0"

NO			DESCRIPTION			DATE		
LOG OF SUBMISSION /REVISION								
			Engineering & Construction Integration Services, Inc. www.ecis-engineering.com TBPE Firm Registration No. F-20414 1303 W. WALNUT HILL LANE, SUITE 285 IRVING, TEXAS 75038 214-591-3100					
			SHEET <b>CANOPY PLAN AND ELEVATION</b>					
OWNER			ENGINEER			JUAN A. MURILLO		
ADDRESS			ADDRESS			1303 W. WALNUT HILL LN. SUITE 285 IRVING, TEXAS 75038		
			PHONE NUMBER			214-591-3100		
			MAIL ADDRESS			jmurillo@ecis-engineering.com		
PROJECT VICTORY HUB								
DESIGNED BRYAN ANDRADE				CHECKED JOSE G. MURILLO				
DRAWN JHOEL MERCADO				APPROVED JUAN A. MURILLO				
SUB	LOT	BLK	SUBMISSION DATE		05/12/2023			
LONGHORN PLAZA ADDITION	01	A	FILE NUMBER	SHEET NO				
			2224.1245	C6.01				